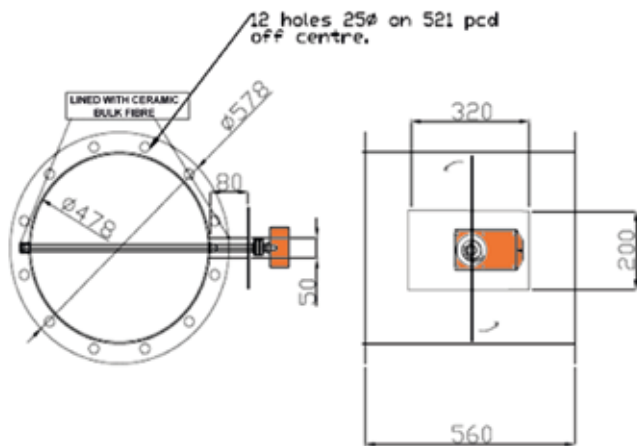


# HIGH TEMPERATURE CHIMNEY DAMPER

Information & Spec Sheet



## DESIGN

High Temperature dampers are similar to standard Motorised Dampers but have additional seals and couplings to allow it to cope with the high temperature without damaging the motor.

Used on KILN, Ovens and Exhaust Pipes for Large Generators Projects



All Engineered Air Treatment Damper designs have been tried and tested for over 35 years.

## FEATURES

- Range Of Temperature
- Flanges can be Designed to Suit Customers Requirements
- Tried and Tested on KILN Flutes
- Various Actuators Available

All materials used are class 'A' Fully traceable as part of ISO 9001



## ADDITIONAL DAMPER INFORMATION

Engineered Air Treatment Ltd. Pride themselves on solving Damper issues and due to the many options available we would recommend contacting our sales team who would also assist where possible.

	<b>HT 120</b>	<b>HT 250</b>	<b>HT 400</b>	<b>HT 500</b>
<b>MATERIAL</b>	ST/ST	ST/ST	ST/ST	ST/ST
<b>BEARINGS</b>	PHOSPHUR BRONZE	HIGH TEMP BEARING SFL C/W HOUSING	HIGH TEMP BEARING SFL C/W HOUSING	HIGH TEMP BEARING SFL C/W HOUSING
<b>BLADE SEAL</b>	OPTION FOR SILICON +200 HIGH TEMP FOAM	NO OPTION	NO OPTION	NO OPTION
<b>SPINDLE</b>	ST/ST THERMAL REDUCING DESIGN	ST/ST THERMAL REDUCING DESIGN	ST/ST THERMAL REDUCING DESIGN	HIGH TEMP SPINDAL HOUSED WITH CERAMIC BULK FIBRE
<b>ACTUATOR</b>	ELECTRICAL /PNEUMATIC	ELECTRICAL /PNEUMATIC	ELECTRICAL /PNEUMATIC	ELECTRICAL /PNEUMATIC
<b>ACTUATOR SUPPORT</b>	C/W THERMAL BREAK	C/W THERMAL BREAK	C/W THERMAL BREAK	C/W THERMAL BREAK
<b>FLANGE</b>	5MM TO SUIT 2MM CASING	5MM TO SUIT 2MM CASING	5MM TO SUIT 2MM CASING	5MM TO SUIT 2MM CASING
<b>WELDING</b>	FULLY WELDED AND CLEANED	FULLY WELDED AND CLEANED	FULLY WELDED AND CLEANED	FULLY WELDED AND CLEANED
<b>COUPLING</b>	THERMAL BREAK	THERMAL BREAK	THERMAL REDUCING COUPLING	THERMAL REDUCING COUPLING AND RADIATION PLATE



See Above



Approx 30Kg's per m<sup>2</sup>. We can supply lifting eyes if required.



Not Available

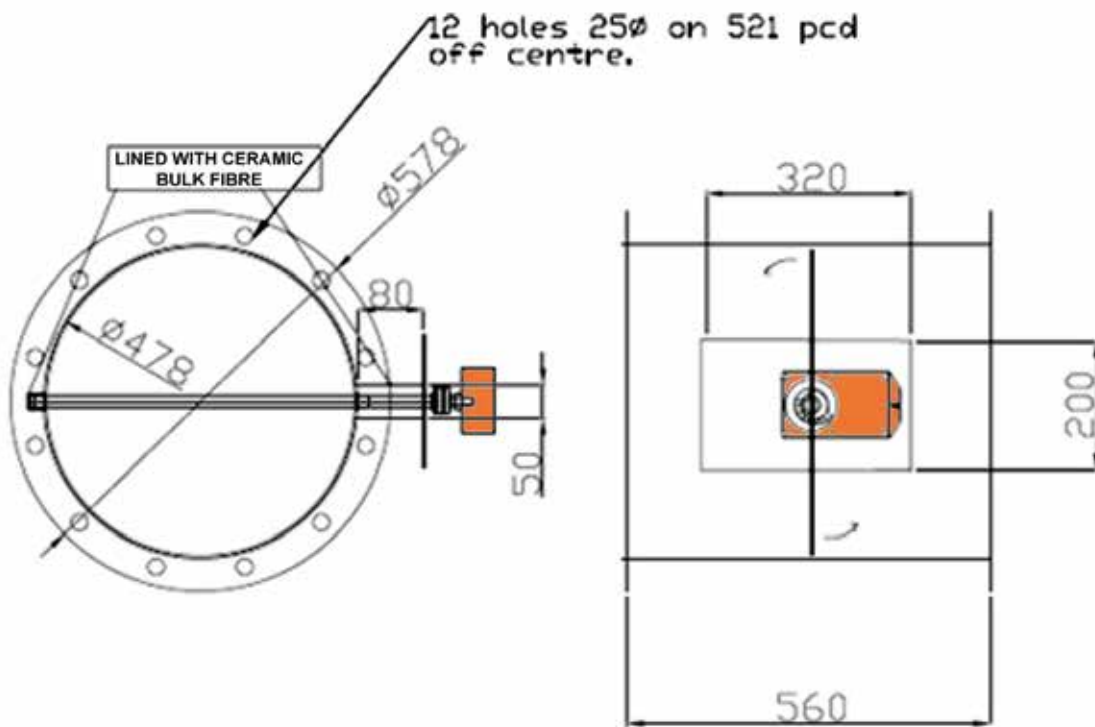


Minimum 150mm, maximum 2000mm Module size, For bigger sizes speak to sales staff.

## EXAMPLE OF LAYOUT

---

HT 500



HT 500

---





Engineered Air Treatment are proud of our quality record which allows us to have complete confidence in the products we offer. We adhere to our ISO9001 accreditation and install these values into our valuable employees. This confidence allows us to offer a 2 year warranty with all our products.

We also have complete traceability and files over 20 years old to look back on. We are a can do company.

## CE Marking for Standard Gas Retention Dampers

---

The CE marking shall be the only marking which attests the conformity of the product with the applicable requirements of the relevant Community harmonisation legislation providing for its affixing”

There is also currently no relevant Community Harmonisation Legislation for a standard damper to adhere to and so CE marking to an official European standard is not possible.

CE Marking is required if dampers are Classed as fire rated safety products or according the building regulation 2016 a supporting the structure of the building, that is unless it comes into the Bespoke construction Section of the legislation and then due care and diligence needs to be illustrated.

This is our own interpretation of the current legislation and would react accordingly if required by law.

Engineered Air Treatment Ltd are a ISO9001: 2015 certified company, and can offer full material certification and traceability. We can also issue Certificate of Conformity, stating that we have supplied as ordered. We also supply EC Declaration of Incorporation with our products.